

DELTA FAN HEATER

DELTA is a robust, reliable fan heater that is designed for use in areas that require a little more of materials and performance, for instance construction sites and ships.

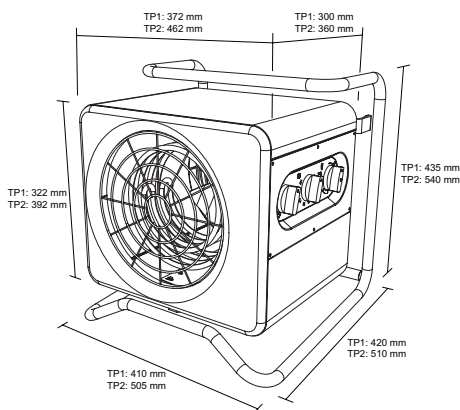
DELTA is also used for more permanent installations such as industrial buildings and warehouses, workshops, factories or garages, as it can go from transportable to permanent fixture with a simple wall-bracket.

It comes with an integrated 0-40°C room thermostat that ensures optimal operation and minimizes energy consumption, as well as a thermal cut-out to protect against overheating. The fan heater works without standby and does not use unnecessary power.

DELTA is built with internal casing in the heating chamber, which ensures that the entire flow of air passes over the heating elements. This eliminates problems with varying airflow and cold spots.

The DELTA fan heater comes in two sizes:

- TP1 = 3-9 kW - small cabinet
- TP2 = 15-21 kW - large cabinet



SURFACE TREATMENT

DELTA is made of electro galvanized sheet metal which is surface-treated with a 20 my powder coating in RAL colour 7004 (light grey). In larger numbers, the fan heaters can be supplied in other colors or coatings.

TECHNICAL DATA

Voltage range:

- 1x110V to 3x690V + PE

Frequenzy, can be used at:

- 50 Hz and 60 Hz

Degree of protection for electrical components:

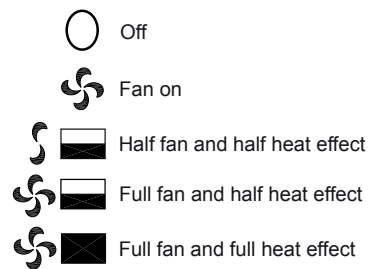
- TP1: 3-9kW = IP44
- TP2: 15-21kW = IP34

Temperature control:

- TP1: Combi thermostat with adjustable room thermostat 0-40°C + thermal cut-out
- TP2: Adjustable room thermostat 0-40°C + thermal cut-out

Level regulation:

- Manually operated 5-level change-over switch that regulates air speed and heating effect. Moreover, all types can be supplied with a 24-hour timer. A DELTA fan heater with timer function switches on when the set time has elapsed.



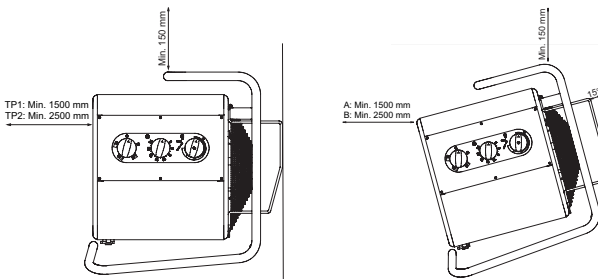
ELECTRICAL INSTALLATION

Permanent installation must always be performed by an authorized electrician in accordance with relevant laws and regulations.



FIXED INSTALLATION

For mounting the fan heater on the wall, the purchased wall bracket must be mounted. It is not necessary to disassemble the floor bracket, for mounting the fan heater on the wall. When mounting the fan heater on the wall the air direction is either horizontally or a 15° downward angle.



ECODESIGN DIRECTIVE (EU) 2015/1188

The directive applies when the installation is intended to create comfort heating for people on site.

The directive does not apply to heating of industrial processes, product development rooms, frost protection, offshore and external use.

It is up to the installer, who is responsible for the installation to assess whether the Ecodesign directive is valid or not.

For control and regulation that satisfy the requirements of the Ecodesign Directive (EU) 2015/1188, we recommend using the following thermostat item no. 19113564. For more information see product sheet "Control and regulation - Ecodesign directive (EU) 2015/1188".

STANDARD PROGRAMME

Supplied with:

- mounted floor bracket
- 1.75 meter cable (TP1 with cable strain / TP2 with plastic gland PG21)
- plug for 1x230V and CEE plug for 3x400V (all other voltage will be supplied without plug)

Item no. with "T" afterwards in the below table = DELTA fan heater incl. timer.



Type	Voltage Power (+5 / -10%)	1x110V Item no.	1x230V Item no.	3x400V Item no.	3x440V Item no.	3x480V Item no.	3x690V Item no.	m³/h		ΔT		dB(A)
								□ / □	□ / □			
TP1	3kW	69825460 69825461 T	69820017 69820025 T	69820033 69820041 T	69825462 69825463 T	69825472 69825473 T	69825482 69825483 T	340/450	14/19°C	32/35		
TP1	6kW			69820058 69820066 T	69825464 69825465 T	69825474 69825475 T	69825484 69825485 T	400/650	21/28°C	33/42		
TP1	9kW			69820074 69820082 T	69825466 69825467 T	69825476 69825477 T	69825486 69825487 T	500/800	25/32°C	36/45		
TP2	15kW			69820090 69820108 T	69825468 69825469 T	69825478 69825479 T	69825488 69825489 T	800/1400	26/30°C	42/52		
TP2	21 kW			69820116 69820124 T	69825470 69825471 T	69825480 69825481 T	69825490 69825491 T	800/1400	36,5/42°C	42/52		

WALL BRACKET

- Item no.: 19400639 = wall bracket for TP1, DELTA fan heaters (3, 6 og 9kW)
- Item no.: 19400647 = wall bracket for TP2, DELTA fan heaters (15 og 21kW)