

TERMODYP BATH HEATERS

The Termodyp range of bath heaters is a complete electric programme for heating vessels and tanks for degreasing plants, deacidification tubs and in the galvanic industry.

Termodyp products are supplied standard with 2m connection cable. The cap is protection class IP55. The standard cold zone is 150mm. **The cap must not be exposed to operating temperature over 70°C.** Termodyp products are stocked in various sheath materials: glass, porcelain, steel, stainless acid-resistant steel AISI 316 and titanium.

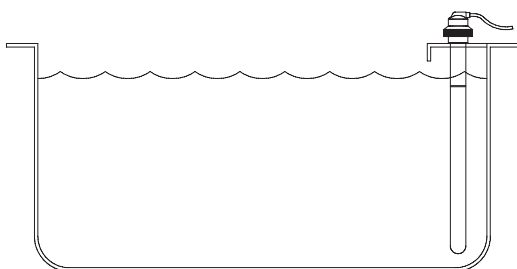
The heating element is built up of ceramic groove blocks with embedded heating spirals. See table on page 2 for standard lengths and power output. Different lengths and cold zones are available to order.

CHOICE OF SHEATH MATERIAL

To achieve the longest lifetime for your bath heater, it is important to choose the best sheath material based on the chemicals to be used in the vessel. Note that conditions in vessels can vary, affecting the lifetime of the bath heater.

INSTALLATION

The Termodyp bath heater must be installed hanging so that both hot and cold zones are always covered by liquid. If the vessel is covered by a lid, a hole must be cut for the bath heater so that the cap is not exposed to temperatures over 70°C. For further details, please see installation instructions.



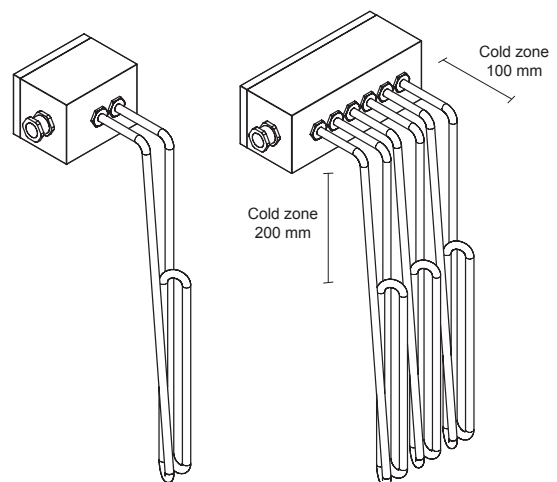
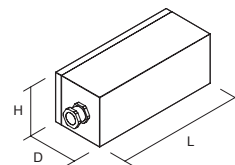
ORDERING

Termodyp Bath Heaters Ø8.5mm can be made to order in titanium and stainless steel. Available with teflon coating.

All 230V heaters are supplied with 1 tube and all 3 x 400V heaters with 3 tubes. Different lengths and power output can be supplied to customer specifications.

The junction box is made in fibreglass reinforced polyester, protection class IP55, with a 13.5 cable gland and premounted cable.

No. of tubes	H mm	D mm	L mm
1	75	75	110
3	75	75	190





STANDARD PROGRAMME

Item no.	Volt	Watt	Length
Steel - Ø42			
81806010	230V	1000W	600 mm
81806028	230V	1500W	600 mm
81806036	400V	1500W	600 mm
81808016	230V	1500W	800 mm
81808024	230V	2500W	800 mm
81808032	400V	2500W	800 mm
81808040	3 x 400V	2500W	800 mm
81801011	400V	3250W	1000 mm
81801029	3 x 400V	3250W	1000 mm
81801219	400V	4000W	1200 mm
81801227	3 x 400V	4000W	1200 mm
Stainless steel			
AISI 316 - Ø42.5			
81806218	230V	1000W	600 mm
81806226	230V	1500W	600 mm
81806234	400V	1500W	600 mm
81808214	230V	1500W	800 mm
81808222	230V	2500W	800 mm
81808230	400V	2500W	800 mm
81808248	3 x 400V	2500W	800 mm
81801045	400V	3250W	1000 mm
81801052	3 x 400V	3250W	1000 mm
81801243	400V	4000W	1200 mm
81801250	3 x 400V	4000W	1200 mm
Titanium - Ø40			
81806416	230V	1000W	600 mm
81806424	230V	1500W	600 mm
81806432	400V	1500W	600 mm
81808412	230V	1500W	800 mm
81808420	230V	2500W	800 mm
81808438	400V	2500W	800 mm
81808446	3 x 400V	2500W	800 mm
81801078	400V	3250W	1000 mm
81801086	3 x 400V	3250W	1000 mm
81801276	400V	4000W	1200 mm
81801284	3 x 400V	4000W	1200 mm

Item no.	Volt	Watt	Length
Glass - Ø44			
80806110	230V	1000W	600 mm
80806128	230V	1500W	600 mm
80806136	400V	1500W	600 mm
80808116	230V	1500W	800 mm
80808124	230V	2500W	800 mm
80808132	400V	2500W	800 mm
80808140	3 x 400V	2500W	800 mm
80801111	400V	3250W	1000 mm
80801129	3 x 400V	3250W	1000 mm
Porcelain - Ø45			
80806011	230V	1000W	600 mm
80806029	230V	1500W	600 mm
80806037	400V	1500W	600 mm
80808017	230V	1500W	800 mm
80808025	230V	2500W	800 mm
80808033	400V	2500W	800 mm
80808041	3 x 400V	2500W	800 mm
80801012	400V	3250W	1000 mm
80801020	3 x 400V	3250W	1000 mm
80801210	400V	4000W	1200 mm
80801228	3 x 400V	4000W	1200 mm

