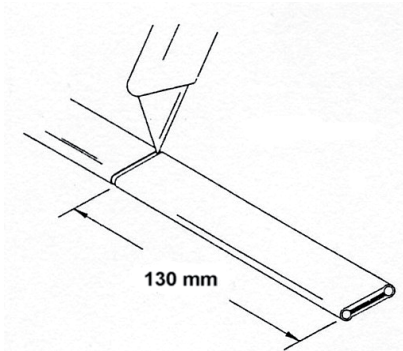
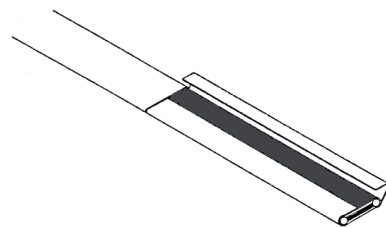




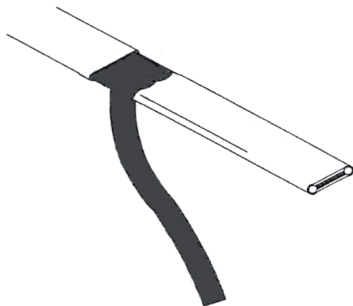
TERMINATION FOR SELF REGULATING HEATING CABLE



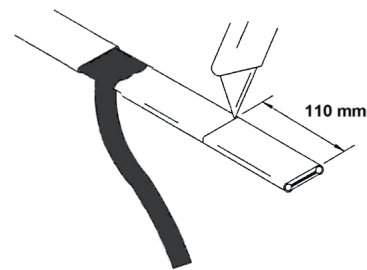
1. Cut around cable overjacket 130mm from the end. Bend cable to break overjacket.



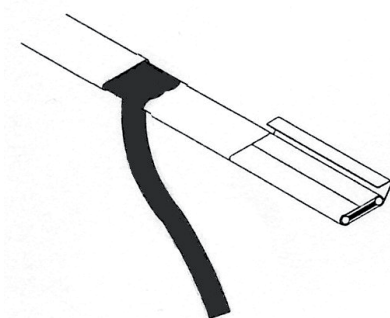
2. Cut overjacket up the center between first cut and the cable end. Bend cable to break the overjacket.



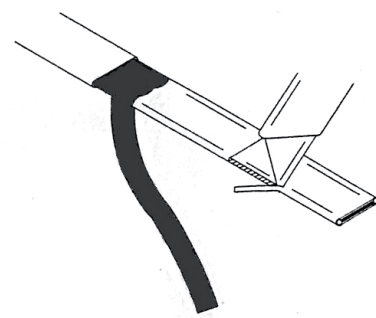
3. Remove overjacket from the tape, remove alutape and bend earth cable.



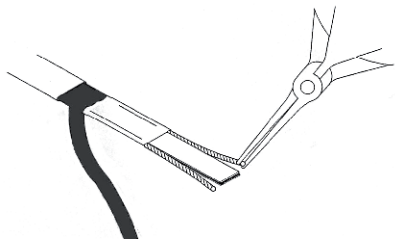
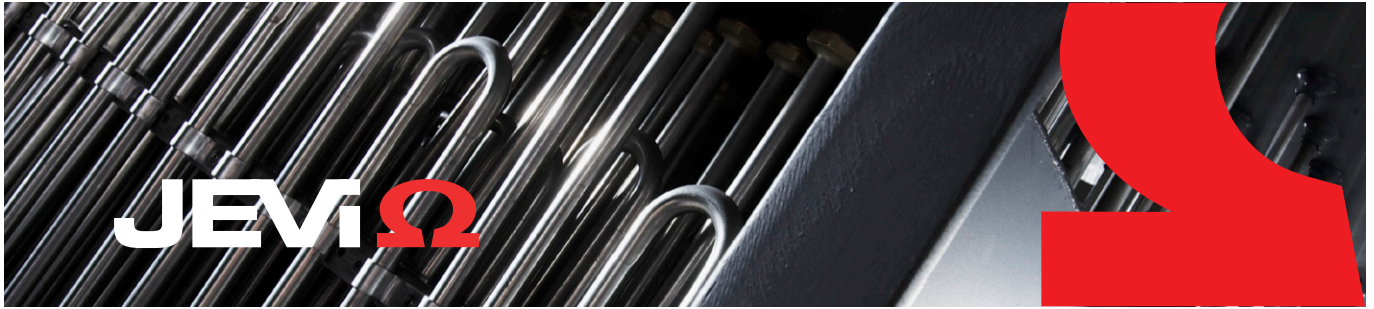
4. Cut the next insulation layer, 110mm from the end.



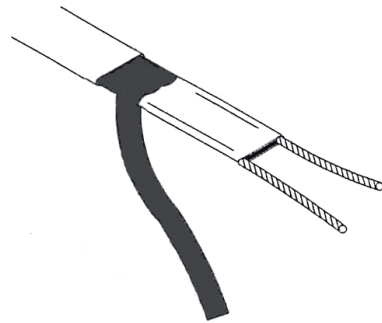
5. Remove the insulation layer from the heating tape.



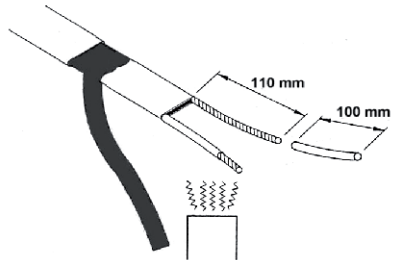
6. Shave the matrix from the outside of each bus wire.



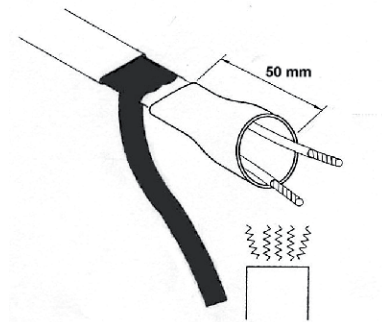
7. Starting at the end, pull each bus wire away from the matrix.



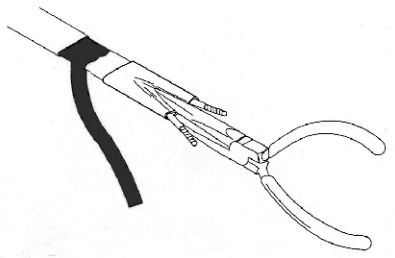
8. Remove the matrix. Leaving only the two bus wires back.



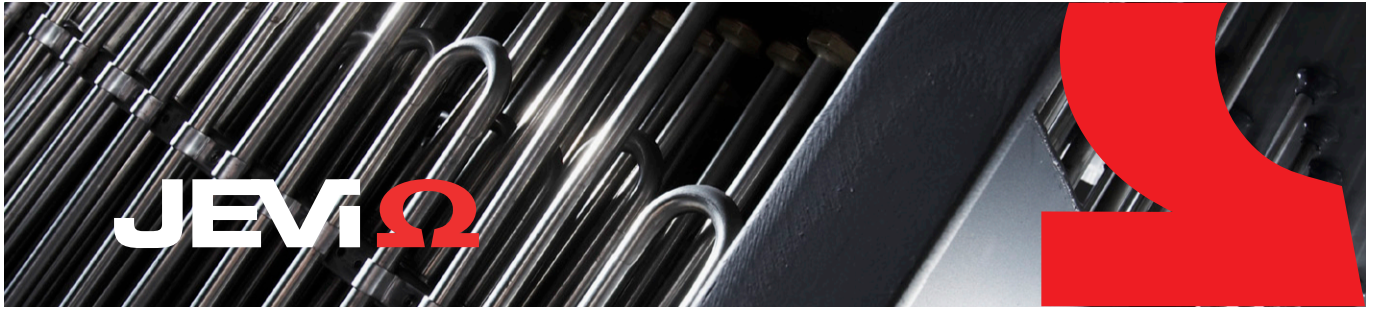
9. Slide a 100mm shrink tube and shrink with heat gun.



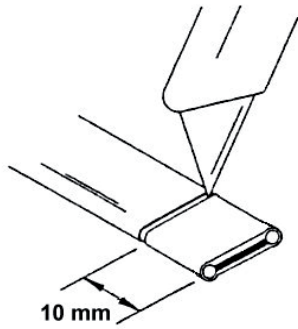
10. Slide a 50mm shrink tube and shrink with heat gun.



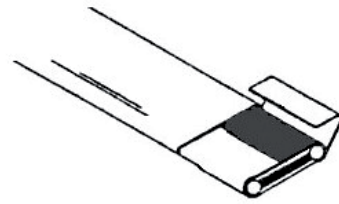
11. While still warm, squeeze between bus wire.



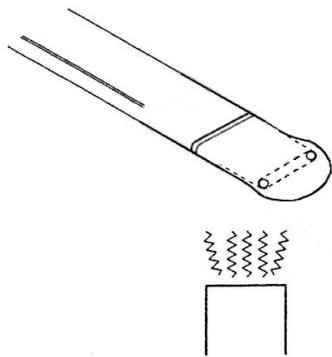
TERMINATION OF THE OPPOSITE END



12. Cut overjacket 10mm from the end.



13. Remove overjacket, alutape and earth wire.



14. Slide end cap and shrink with heat gun.